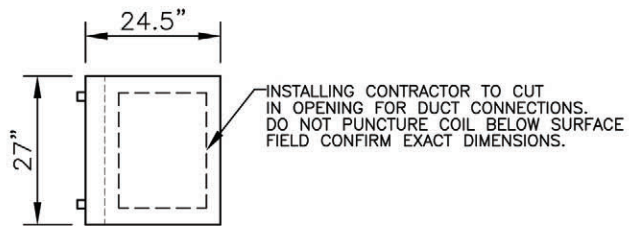
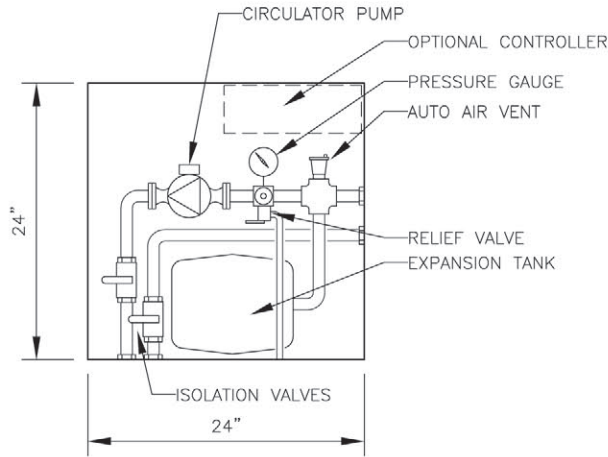


Dimensions

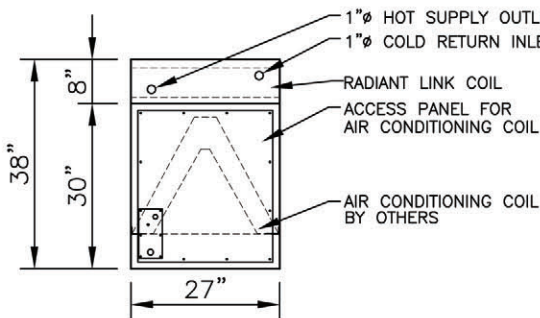
Distributed to qualified installation contractors through:

HVAC Sales (1997) Ltd.
1362 Lorne Street,
Regina, Saskatchewan,
Canada S4R 2K1
Phone: (306) 721-7980
Fax: (306) 721-7982
Email: sales@embodiedenergy.ca

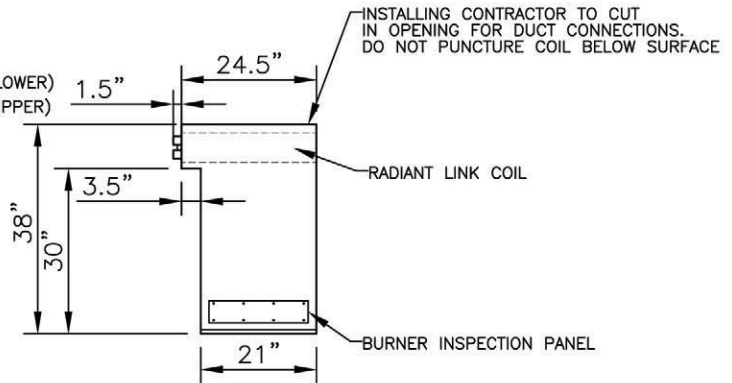


TOP VIEW

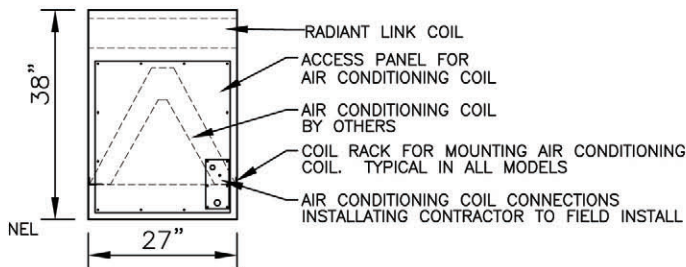
Control Panel



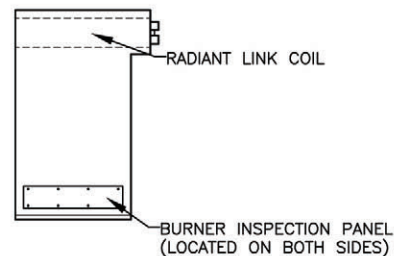
LEFT SIDE VIEW



FRONT VIEW



RIGHT SIDE VIEW



BACK VIEW

NOTE:

1. TAKE CARE WHEN CUTTING IN DUCTWORK TO PREVENT DAMAGE TO COIL
2. RIGHT OR LEFT HAND COIL CONNECTIONS CAN BE CHOSEN IN THE FIELD, DEPENDING ON WHICH SIDE THE HANDING OF THE COOLING COIL
3. USE FOIL TAPE TO SEAL ALL SEAMS WHEN COMPLETE.